



## Ventilation Equipment 304 S/S Wall Hood+Filters+Fan 1600x1100mm

ITEM # \_\_\_\_\_

MODEL # \_\_\_\_\_

NAME # \_\_\_\_\_

SIS # \_\_\_\_\_

AIA # \_\_\_\_\_



644213 (AMPV1116DT)

304 stainless steel Wall Hood with filters and exhauster

### Short Form Specification

Item No. \_\_\_\_\_

Constructed in 304 AISI stainless steel. Equipped with labyrinth filters in 304 AISI stainless steel, blind panels in 304 AISI stainless steel and condensate collecting tray.

Centrifugal fan, with enclosed type motor, mounted inside the filter battery.

### Main Features

- External panels with upturned edges to avoid injuries.
- Prearranged for installation of lighting.
- Low noise level.

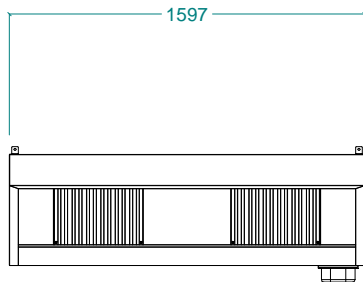
### Construction

- Eyebolts and screw anchors for ceiling installation.
- Outlet holes are sized in order to minimize drops in pressure.
- Back drain pipe with drain hole to transfer grease into a 304 AISI container.
- 304 AISI stainless steel condensation collection tray.
- Labyrinth filters guarantee constant filtration to avoid clogging and to protect against fire.
- 304 AISI stainless steel blind panels for a correct exhaustion.
- 304 AISI stainless steel labyrinth filters easily removable for cleaning.
- Entirely constructed in 304 AISI stainless steel.

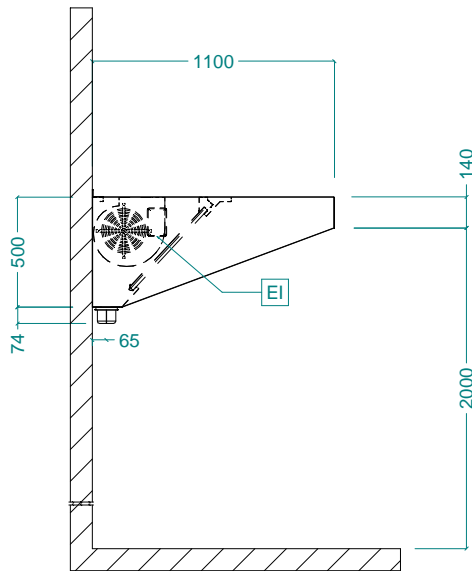
APPROVAL: \_\_\_\_\_



Front

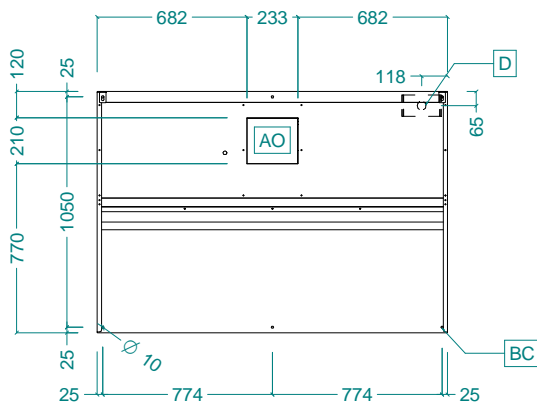


Side



EI = Electrical inlet (power)

Top



### Electric

Supply voltage: 644213 (AMPV1116DT) / ph/50 Hz  
 Total Watts: 0.3 kW  
 Built-in Fan Power: 300 W

### Key Information:

External dimensions, Width: 1600 mm  
 External dimensions, Depth: 1100 mm  
 External dimensions, Height: 500 mm  
 Net weight: 51 kg

### Air Emission:

Air capacity: 1900 mc/h